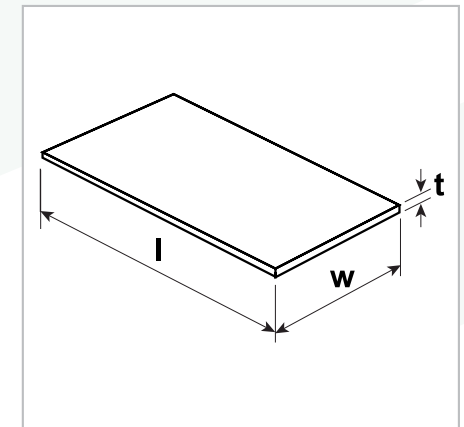
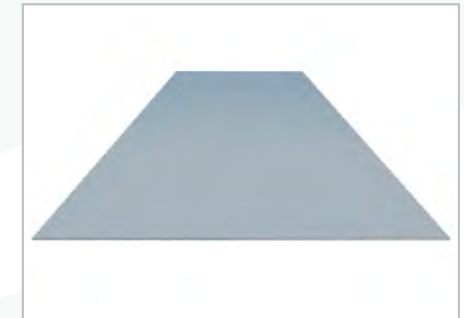


PLATE PRODUCTS REFERENCE GUIDE: COIL PLATE (TRUSPEC)

Designation	Weight	Thickness t	Width w	Length l	Designation	Weight	Thickness t	Width w	Length l
	kg/m ²	mm	mm	mm		kg/m ²	mm	mm	mm
1200x2400	23.55	3	1200	2400	1800x6000	39.25	5	1800	6000
1200x3000	23.55	3	1200	3000	1200x6000	47.10	6	1200	6000
1200x6000	23.55	3	1200	6000	1500x3000	47.10	6	1500	3000
1500x3000	23.55	3	1500	3000	1500x6000	47.10	6	1500	6000
1500x6000	23.55	3	1500	6000	1800x6000	47.10	6	1800	6000
1800x6000	23.55	3	1800	6000	1200x2400	62.80	8	1200	2400
1200x2400	31.40	4	1200	2400	1500x3000	62.80	8	1500	3000
1200x6000	31.40	4	1200	6000	1200x2400	78.50	10	1200	2400
1500x3000	31.40	4	1500	3000	1500x3000	78.50	10	1500	3000
1500x6000	31.40	4	1500	6000	1200x2400	94.20	12	1200	2400
1800x6000	31.40	4	1800	6000	1500x3000	94.20	12	1500	3000
1200x2400	39.25	5	1200	2400	1200x2400	125.60	16	1200	2400
1200x6000	39.25	5	1200	6000	1500x3000	157.00	20	1500	3000
1500x3000	39.25	5	1500	3000	1500x3000	196.25	25	1500	3000
1500x6000	39.25	5	1500	6000					



■ Manufactured in accordance with the requirements of Australian Standard AS/NZS 1594 - HA250.

